

HYDROQUIP™
 510A N. Sheridan Street Corona, CA 92880
 Phone: (951) 273-7575 Fax: (800) 332-7190

Manufacture Notes: *Component wiring is set at factory default of 120 VAC, unless otherwise noted.

- NOTE #1 - ON CONTACTOR INDICATES CAPACITOR.
- NOTE #2 - CONNECTED TO NEUTRAL SIDE OF UNIVERSAL TERMINAL BLOCK (SOME MODELS PRECONFIGURED AT FACTORY TO 240V)
- NOTE #3 - DENOTES THE COLOR OF HEAT SHRINK USED.

Dwg. No. **101G0-DK-5**
 Approved By:

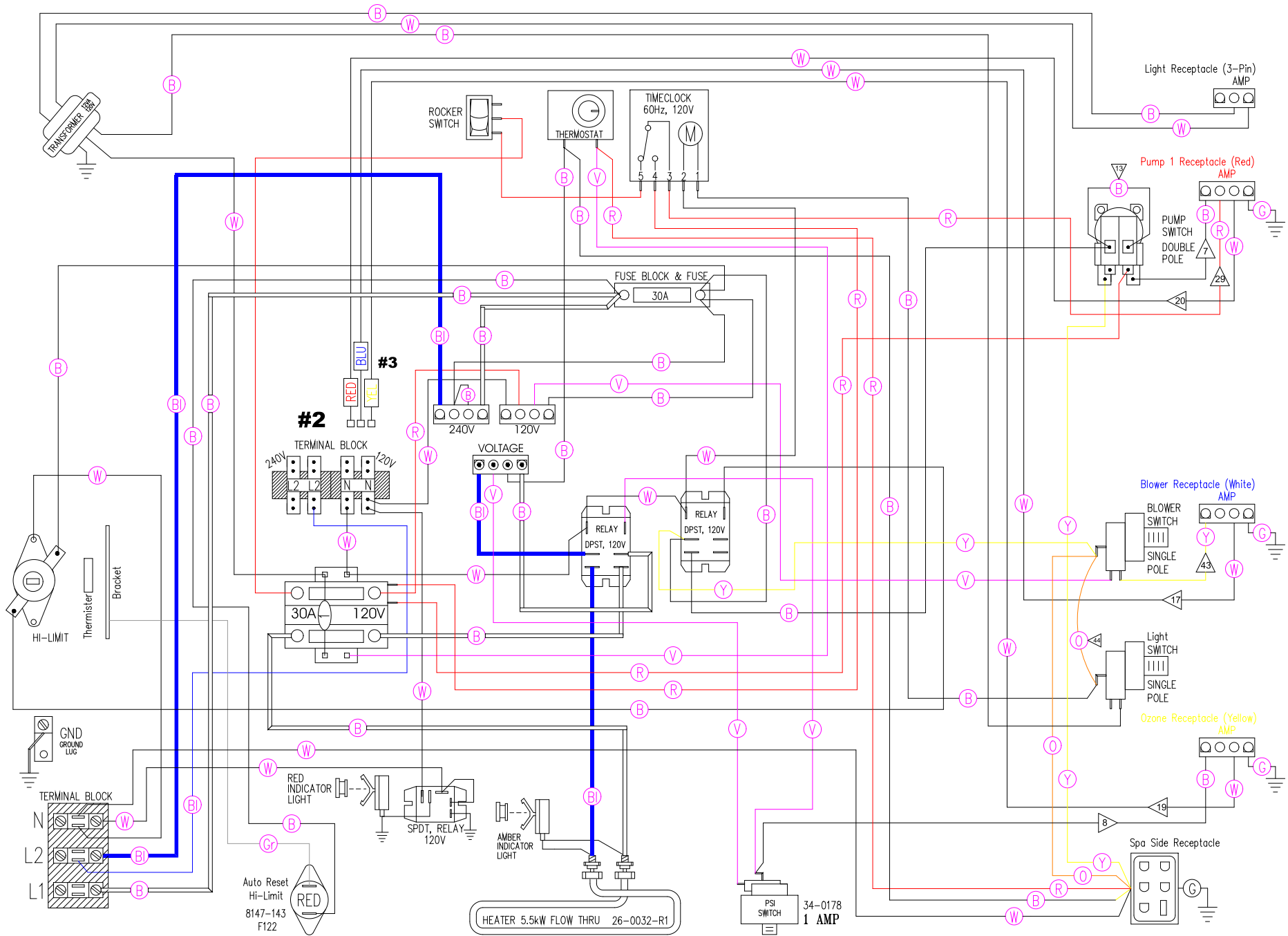
Drawn BH
 Date 09.19.01

Diagram No. **321A**

Rev 0

Wire Color Code

- B - Black
- G - Green
- Br - Brown
- Bl - Blue
- R - Red
- V - Violet
- O - Orange
- W - White
- Y - Yellow
- Gr - Gray



HYDROQUIP™
 510A N. Sheridan Street Corona, CA 92880
 Phone: (951) 273-7575 Fax: (800) 332-7190

Manufacture Notes: *Component wiring is set at factory default of 120 VAC, unless otherwise noted.
 NOTE #1 - ON CONTACTOR INDICATES CAPACITOR.
 NOTE #2 - CONNECTED TO NEUTRAL SIDE OF UNIVERSAL TERMINAL BLOCK (SOME MODELS PRECONFIGURED AT FACTORY TO 240V)
 NOTE #3 - DENOTES THE COLOR OF HEAT SHRINK USED.

Dwg. No. **101G0-DK-5**
 Approved By:

Drawn BH
 Date 09.19.01
 Rev 0
 Diagram No. **321A**

Wire Color Code
 B - Black G - Green
 Br - Brown Bl - Blue
 R - Red V - Violet
 O - Orange W - White
 Y - Yellow Gr - Gray